

LED LinkLite Installation Instructions

Please read these instructions carefully before installation
Leave a copy for the user/maintenance engineer for future reference

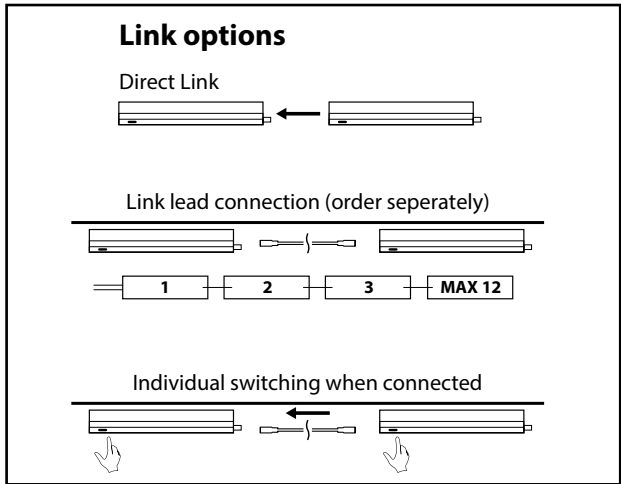
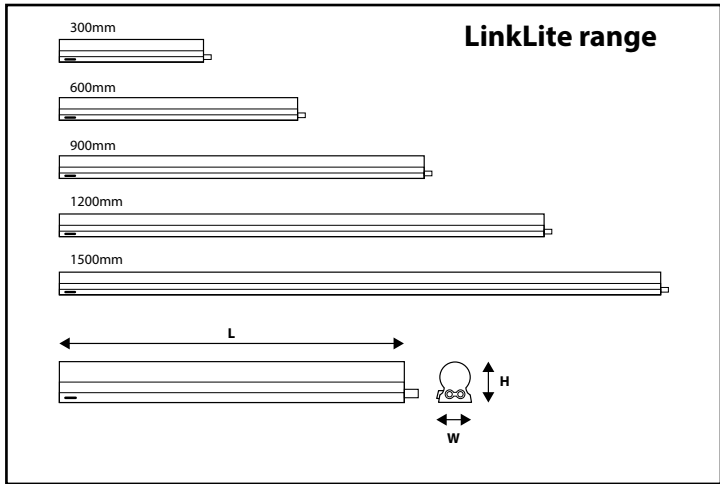
Important Safety Information

- It is recommended that this fitting is installed, inspected and maintained by a qualified Electrician.
- Installation should be carried out in accordance with the latest edition of the IEE Wiring Regulations (BS 7671) and the latest Building Regulations. If in doubt, consult a qualified electrician.
- These products are designed for connection to a 220-240V~50/60Hz supply.
- Before commencing any installation or maintenance work, ensure electricity is switched off at the mains and the circuit fuses are removed or switched off.
- Important: Ensure that ALL electrical connections are tight with no loose strands including factory made connections.
- Please note the IP rating of this luminaire when deciding the location for installation.
- This luminaire is suitable for indoor use only.
- This product is non-dimmable.
- This is a class II luminaire, double insulated, no earth required.
- The LED lamps fitted in this product are non-replaceable, the whole luminaire must be replaced when the LED reaches the end of its life.

Pack contents

300/600/900 = x 2
1200/1500 = x 3

**Order mains power
and link leads
separately**



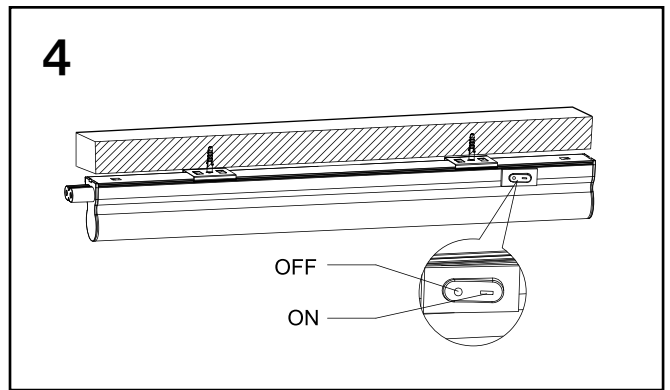
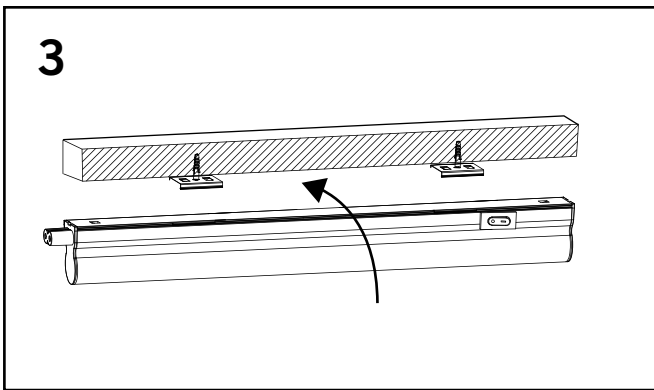
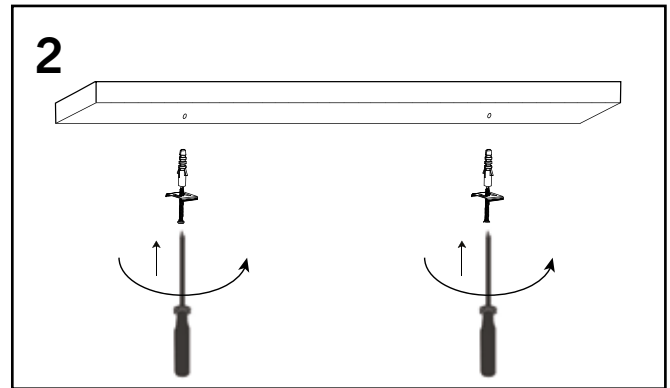
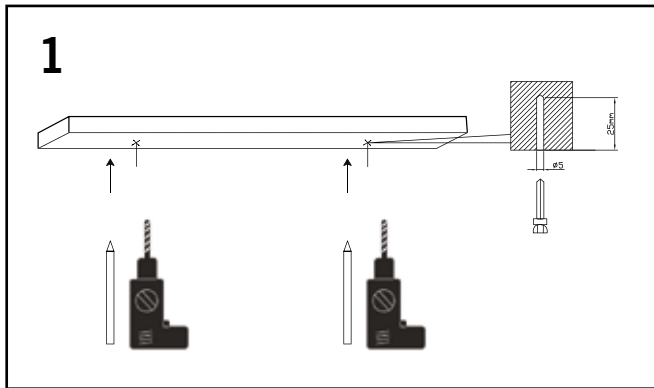
Technical Specifications

Part No.	Power (W)	Measurement (LxWxH mm)	Input Voltage	Lumen Output	Colour Temperature
LXLL5300LEDWW	5	300 x 22 x 36	220-240V 50Hz	370	3000K WW
LXLL9600LEDWW	9	600 x 22 x 36	220-240V 50Hz	690	3000K WW
LXLL12900LEDWW	12	900 x 22 x 36	220-240V 50Hz	920	3000K WW
LXLL161200LEDWW	16	1200 x 22 x 36	220-240V 50Hz	1290	3000K WW
LXLL201500LEDWW	20	1500 x 22 x 36	220-240V 50Hz	1560	3000K WW
LXLL5300LEDNW	5	300 x 22 x 36	220-240V 50Hz	400	4000K NW
LXLL9600LEDNW	9	600 x 22 x 36	220-240V 50Hz	750	4000K NW
LXLL12900LEDNW	12	900 x 22 x 36	220-240V 50Hz	1000	4000K NW
LXLL161200LEDNW	16	1200 x 22 x 36	220-240V 50Hz	1400	4000K NW
LXLL201500LEDNW	20	1500 x 22 x 36	220-240V 50Hz	1700	4000K NW

Accessories

Part No.	Description	Length (mm)
LXLLPL	Power Lead	2000
LXLLL250	Link Lead	250
LXLLL450	Link Lead	450
LXLLL800	Link Lead	800
LXLLL1250	Link Lead	1250

Important Installation Information



- Always switch off the mains power supply before installation or servicing.
- Ensure that the mounting surface is clean and free from any obstructions. The installation must not infringe on gas/water pipes or any other electrical cables or services which may be hidden behind the surface.
- Remove the protective film before use.
- Select the appropriate fixings to suit the mounting surface from the pack contents supplied.

1). Mark the location of the fixing holes for the mounting clips using the luminaire as a guide. Mounting clips should be spaced evenly to distribute the weight of the luminaire. Drill the holes for the fixing plugs if required, depending on type of surface.

2). Screw the mounting clips into the correct positions. Note – two sizes of screws are provided to suit different mounting surfaces.

3). When the fixings are secure, locate the base of the luminaire into the mounting clips.

4). The rocker switch fitted to the side of the luminaire can be used for individual switching.

- Additional luminaires may be linked if required. For direct end to end linking simply push-fit the male connector of the first luminaire to the female socket of the second luminaire. Repeat this process for multiple fittings. For Link Lead connection (order separately) use the correct length of Link cable to achieve the desired spacing distance. A maximum of 12 luminaires can be linked using either direct end to end or link lead connection.
- When ALL fixings and luminaires are mounted into position connect the mains power lead (order separately) to the female socket of the first luminaire. Wire the bare end of the mains power lead to the appropriate mains supply connection.
- Turn on the mains power supply and check the installation for correct operation.

Guarantee

This product is guaranteed in the EU for a period of 2 years from the date of purchase. The guarantee is invalid in the case of improper use, installation, tampering, removal of the QC/batch code label, installation in an improper working environment or installation not according to the current edition of the IEE Wiring Regulations (BS 7671). Should this product fail during the guarantee period it will be replaced free of charge, subject to correct installation and return of the faulty unit. Luxna Lighting does not accept responsibility for any installation costs associated with the replacement of this product. Your statutory rights are not affected. Luxna Lighting reserves the right to alter product specifications without prior notice.